

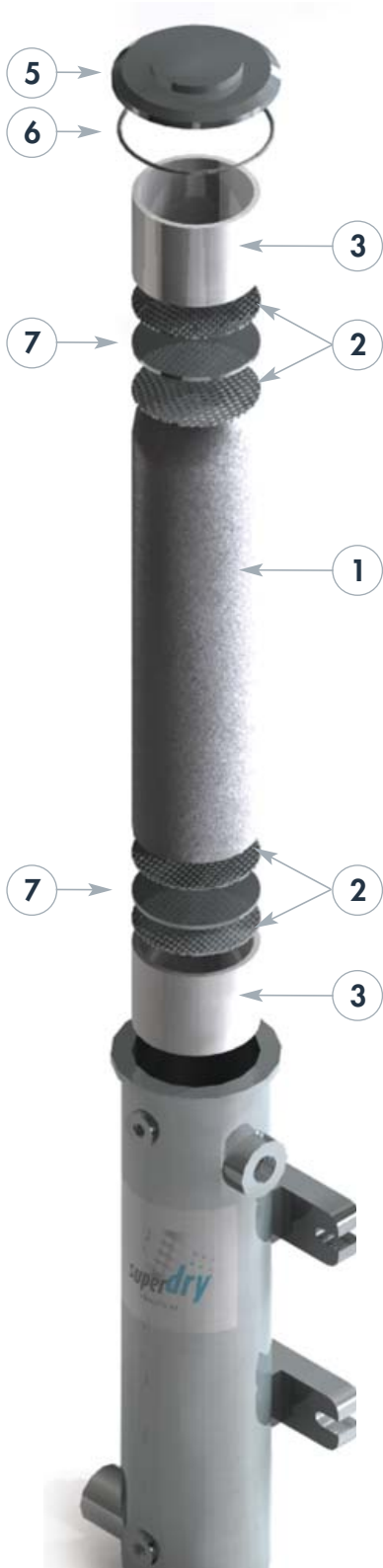


D Series | Compressed Air Dryers |



PARTS BREAKDOWN

Models: D-1 | D-2 | D-3 | D-4

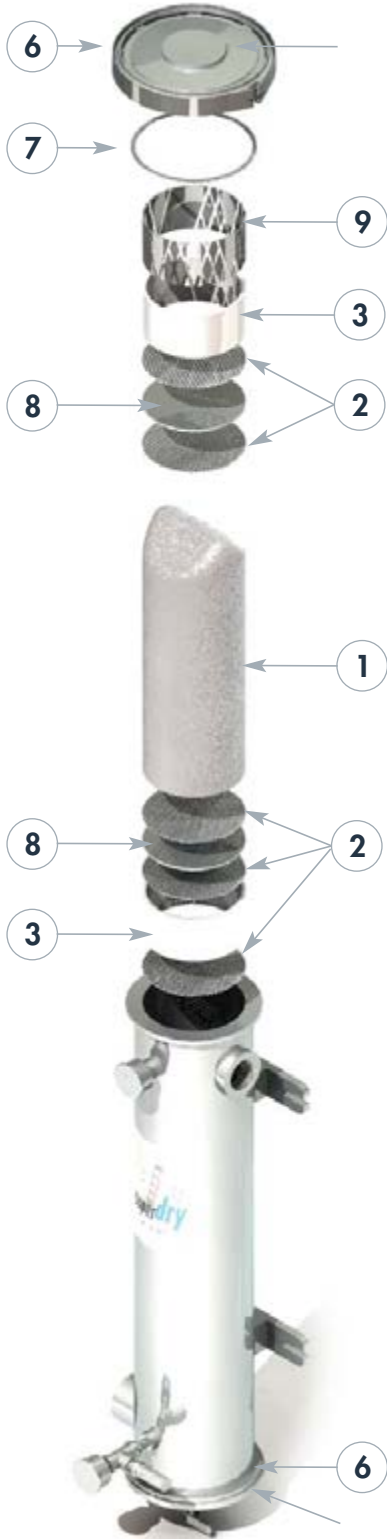


Model: **D-1**
Part #: 280-110

Item	Part #	Description	Qty
1,3,6,7	280-210	EDI - REPLACEMENT KIT	
2	280-305	SCD1 – STAINLESS STEEL GRIDS	4
3	280-310	COD1 – COALESCER ELEMENT	2
5	280-420	CLD1 – STAINLESS STEEL CLAMP	1
6	280-423	ORD1 – O’RING FOR D1	1
7	280-430	FELTD1 – FELT PAD	2

Model: **D-2**
Part #: 280-120

Item	Part #	Description	Qty
1,3,6,7	280-220	ED2- REPLACEMENT KIT	1
2	280-306	SCD2-3 – STAINLESS STEEL GRIDS	4
3	280-311	COD2-3 – COALESCER ELEMENT	2
5	280.421	CLD2-3 – STAINLESS STEEL CLAMP	1
6	280.424	ORD2-3 – O’RING FOR D2-D3	1
7	280.431	FELTD2-3 – FELT PAD	2



Model: **D-3**
Part #: 280-130

Item	Part #	Description	Qty
1,3,7,8	280-230	ED3- REPLACEMENT KIT	
2	280-306	SCD2-3 – STAINLESS STEEL GRIDS	5
3	280-311	COD2-3 – COALESCER ELEMENT	2
6	280-421	CLD2-3 – STAINLESS STEEL CLAMP	2
7	280-424	ORD2-3 – O’RING FOR D2-D3	2
8	280-431	FELTD2-3 – FELT PAD	2
9	280-600	OSD3 – OUTLET SCREEN	1

Model: **D-4**
Part #: 280-140

Item	Part #	Description	Qty
1,3,7,8	280-240	ED4 - REPLACEMENT KIT	
2	280-307	SCD4 – STAINLESS STEEL GRIDS	5
3	280-312	COD4 – COALESCER ELEMENT	2
6	280-422	CLD4 – STAINLESS STEEL CLAMP	2
7	280-425	ORD4 – O’RING FOR D4	2
8	280-432	FELTD4 – FELT PAD	2
9	280-601	OSD4 – OUTLET SCREEN	1



D Series | PARTS BREAKDOWN



Model: **GSTD**
 Part #: **280-135**
 Accessories for **D-1 | D-2 | D-3**

Description	Qty
PRESSURE GAUGES	2
STREET T	1
SAFETY VALVE ¼ @ 150 PSI	1
HEX NIPPLE ¼"	2
BALL VALVE ¼"	1



Model: **GD4**
 Part #: **280-145**
 Accessories for **D-4 |**

Description	Qty
PRESSURE GAUGES	2
SAFETY VALVE ½ @ 150 PSI	1
HEX NIPPLE ½"	1
HEX NIPPLE ¼ "	1
T ½"	1
REDUCING BUSHING ¼ X ½	1
BALL VALVE ¼"	1

Accessories are included with the D Series Air Dryer



SUPER-DRY SOLUTIONS INCLUDES:

- D Series** ● | Compressed Air Dryers
- ATD Series** ● | Air Tool Dryers
- F Series** ● | Mini Filters and Desiccant Dryers
- FSD Series** ● | Water Separators
- TD Series** ● | Automatic Timer Drains



Tel.: 1-888-828-1122 | Fax: 1-888-828-1133
info@super-dry.com

www.super-dry.com